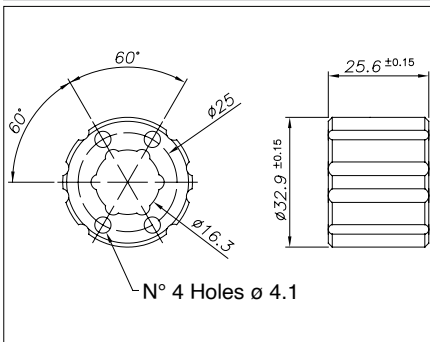


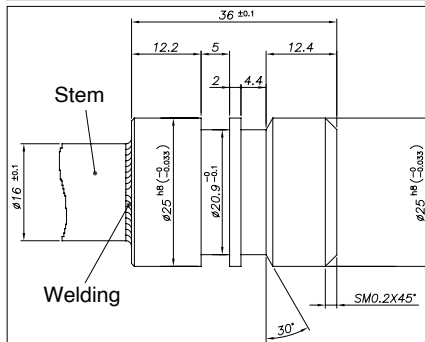
MECHANICAL / ELECTRICAL DATA

MODEL		50	100	150	200	250	300	350	400	450	500	550	600	650	700	750	800	850	900	950	1000
Useful electrical stroke (C.E.U.) + 1 / -0	mm	Model																			
Theoretical electrical stroke (C.E.T.) ± 1	mm	C.E.U. + 1																			
Resistance (C.E.T.)	kΩ	5					10					20									
Independent linearity (within C.E.U.)	±%	0,1					0,05														
Dissipation at 40°C (0W at 120°C)	W	1	2	3																	
Max applicable voltage	V	60																			
Mechanical stroke CM	mm	C.E.U. + 5																			
Case Length (A)	mm	C.E.U. + 97																			

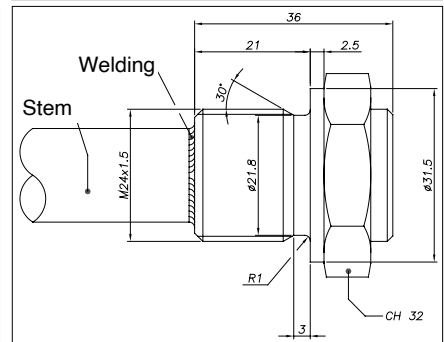
PCUR032 CURSOR



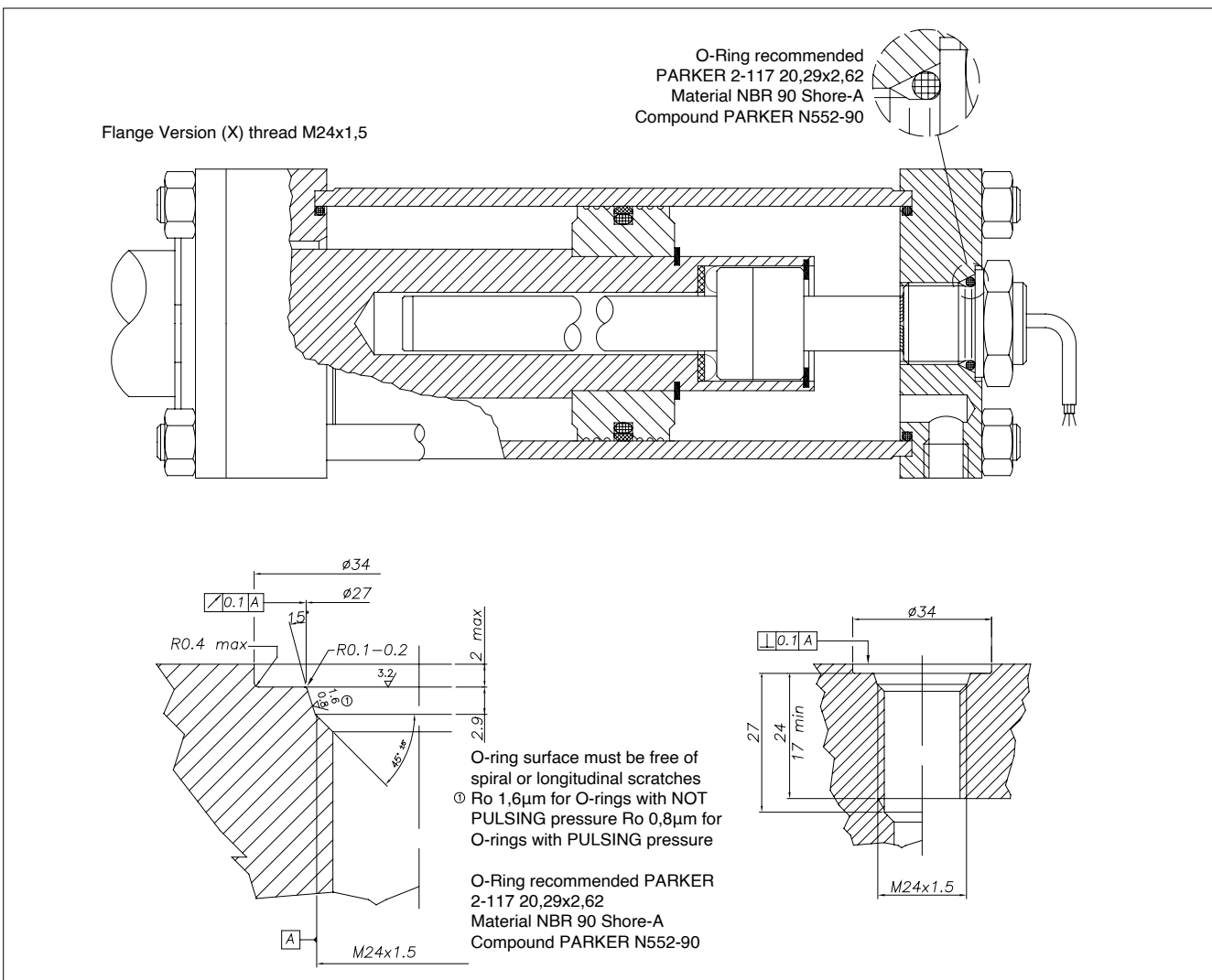
STANDARD FLANGE (X)



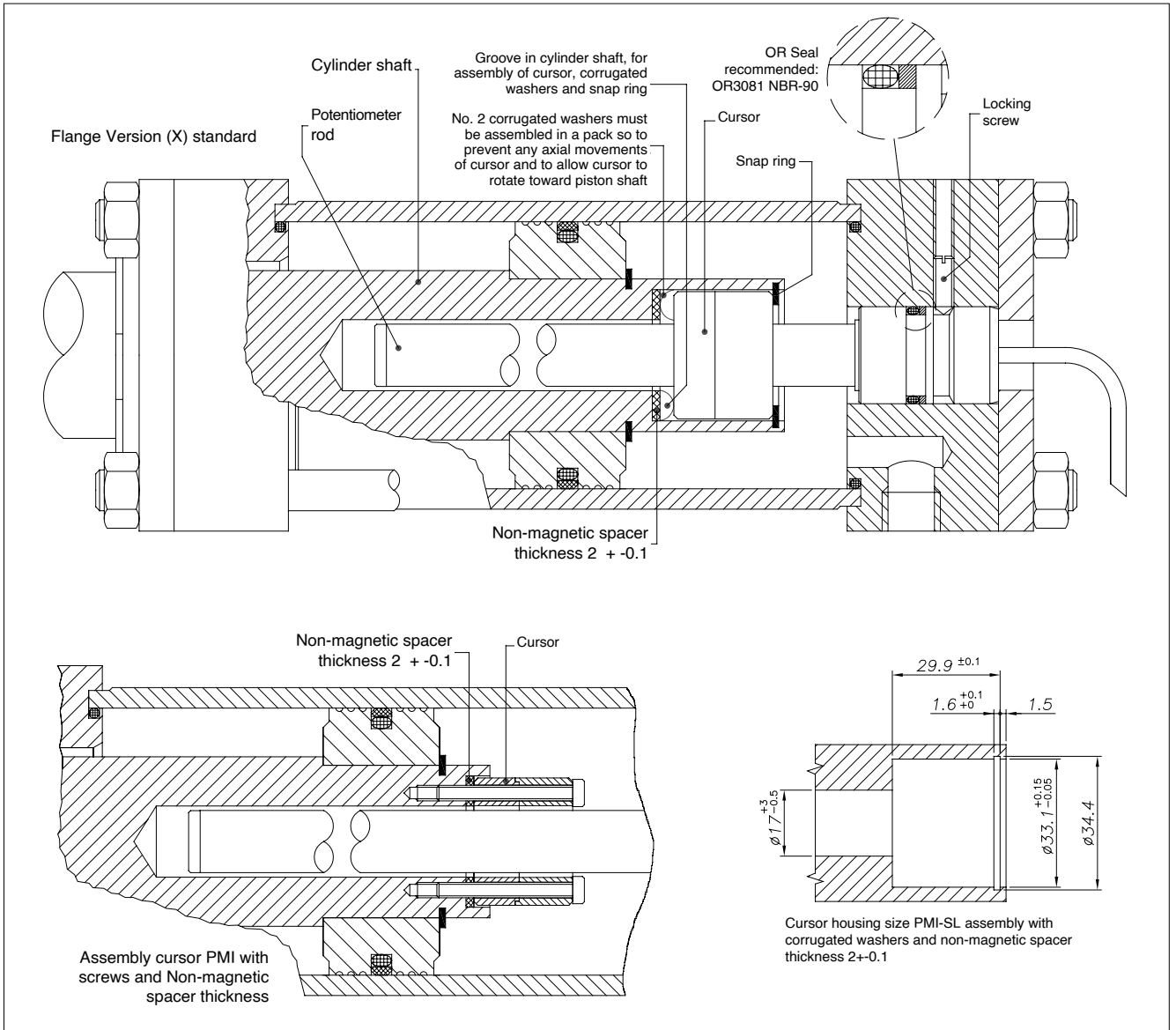
THREADED FLANGE (M)



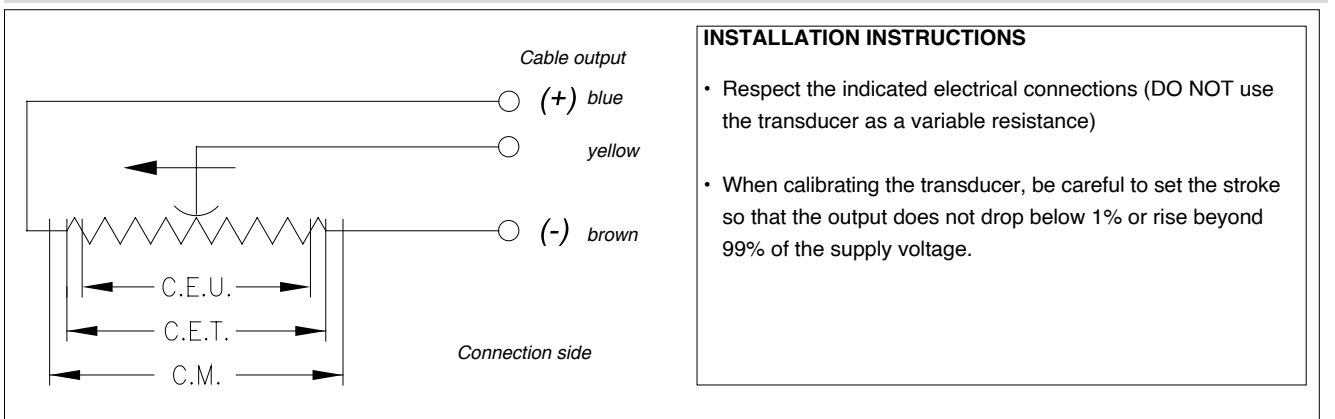
INSTALLATION INSIDE THE CYLINDER



INSTALLATION INSIDE THE CYLINDER



ELECTRICAL CONNECTIONS



TRACKING ERROR

