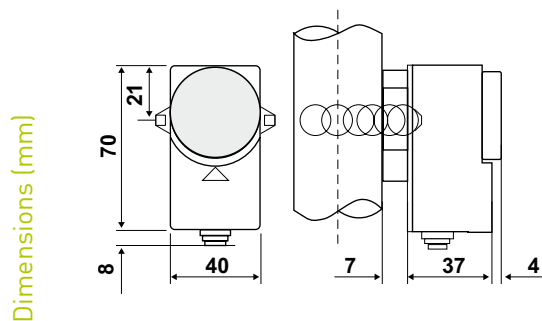


# C01A

## Strap-on pipe thermostat

Thermostat to control water temperature in heating pipe installations, for example to switch-off the circulation pump when the water temperature has dropped or to switch-on the air heater when the water temperature reaches the set value.

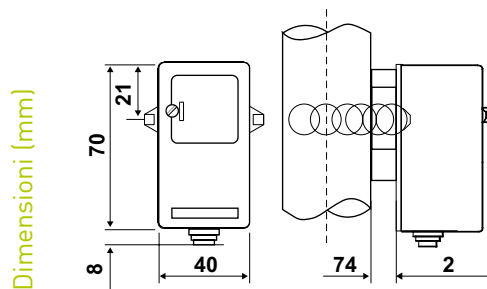


Dimensioni (mm)

	Temperature range	Differential*	Calibration accuracy	Admissible body temperature	Maximum bulb temperature	Protection degree
C01A	20 ÷ 90 °C	8 K	± 3 °C	85 °C	120 °C	IP40
C01B	10 ÷ 60 °C	8 K	± 3 °C	85 °C	120 °C	IP40
C01AM	20 ÷ 90 °C	8 K	± 3 °C	85 °C	120 °C	IP40

\*The differential is subtracted from the range value. The differential values refer to a thermal gradient of 6K/hour, 1K/min with heat-conducting paste bags.

## Execution with internal regulation



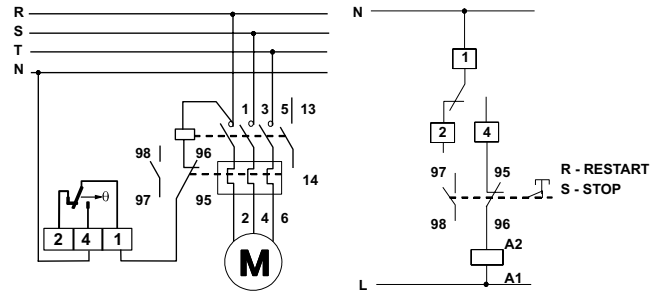
Dimensioni (mm)

	Temperature range	Differential*	Calibration accuracy	Admissible body temperature	Maximum bulb temperature	Protection degree
C01ARI	20 ÷ 90 °C	8 K	± 3 °C	85 °C	120 °C	IP40

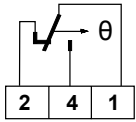
\*The differential is subtracted from the range value. The differential values refer to a thermal gradient of 6K/hour, 1K/min with heat-conducting paste bags.

# ELECTRICAL FEATURES

Two directions microswitch of instant action with AGcdO contacts.  
 Contact parameters in compliance with EN 60730-1: 15(6)A 250V~ 50Hz.  
 Parameters in compliance with EN 60947-5-1:  
 Nominal insulation voltage:  $U_i$  380V~.  
 Nominal continuous current:  $I_{th}$  15A.  
 Nominal operating current  $I_e$ :      220V~    250V~    380V~  
 Resistive load AC-12                    -        15A    10A  
 Inductive load AC-15                   -        2,5A   1,5A  
 Direct current DC-13                    0,2A    -        -



The circulation pump stops when the temperature drops below the detachment value.



# STANDARDS AND APPROVALS

Compliance with standards EN 60947-5-1, EN60730-1



# INSTALLATION

Installation on the pipeline through the elastic metallic tape, supplied with a length of 26 cm.  
 Heat-conducting metallic paste for heat exchange improvement (on request).

# OPERATION

When the temperature increases: 1-2 are opening, 1-4 are closing.  
 Liquid expansion function.

Temperature measurement by means of the direct contact located between the pipeline surface and the sensing element (may be used a heat-conducting metallic paste, available on request).

# FEATURES

Sensing element with stainless steel diaphragm, including support with hooks for the elastic metallic tape (included in the package).  
 Base, cover and knob in shock-proof self-extinguishing thermoplastic material V0.  
 Electrical connection output with PVC cable gland.  
 Storage and transport temperature:  $-35 \div 120$  °C.  
 Unit weight: 0,16 Kg.  
 Protection level: IP40.

# ACCESSORIES



303298LA  
 Cable gland G1/2 for connection output in shock-proof self-extinguishing thermoplastic material V0.



2055060  
 Heat-conducting paste bags.