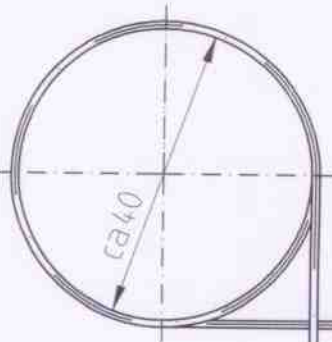


Approval signs:

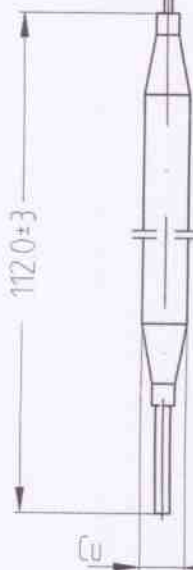


Remark: The technical data and working conditions shown on this drawing don't dispense the customer from his liability to do additional safety and function tests in accordance to legal standards and his application



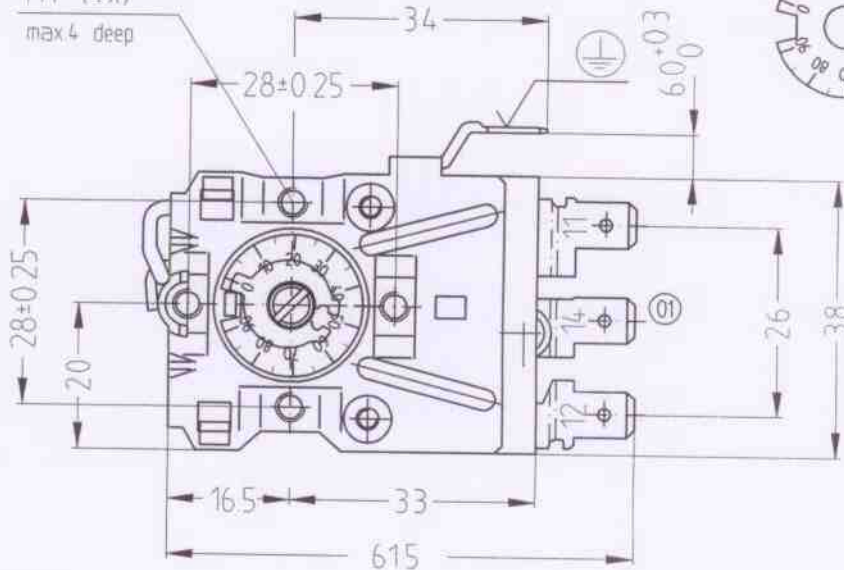
Ø1 stainless steel

Capillary tube length  
1500±50



Cu Ø6±0.1

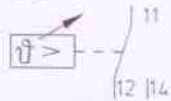
M4 (4x)  
max 4 deep



Label scale



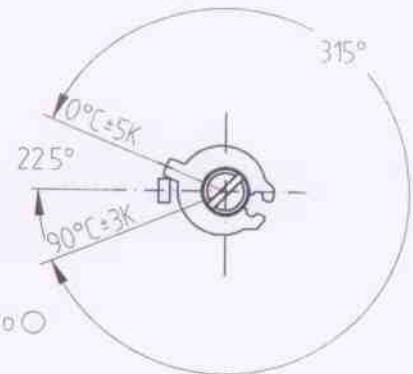
SPDT



|    |                     |
|----|---------------------|
|    | Switch rating       |
| EN | 11-12 16(2b) / 250~ |
|    | 11-12 10(2) / 400~  |

Technical data:

- Type: (EN 60730) 1
- Switching differential: 3±1.5K
- Switch head max. ambient temp: T90
- Max. bulb temp: 120°C
- Flat plug A6,3x0,8 DIN 46244
- Ground connector: yes  no
- Contacts bended: α=90°
- Protective tube from the house ca. 1400.



Customer: HSD Instruments

Return of former drawing is not required

Operating temperatures are switch-off values, measured in test bath

|                                |                                  |                                 |              |                              |       |
|--------------------------------|----------------------------------|---------------------------------|--------------|------------------------------|-------|
| Free Tolerance/<br>Szabadfűrés |                                  | Angular tolerance/<br>Szögfűrés |              | Firm/Cég                     |       |
| MSZ ISO 2768-m                 |                                  | MSZ ISO 2768-v                  |              |                              |       |
| 2014.                          | Date/Dátum                       | Name/Név                        |              |                              |       |
| Designed by                    | 06.06.                           | Nagy T.                         |              |                              |       |
| Checked by                     | 06.06.2014.                      | Singer J.                       |              | <b>Thermostat<br/>716 RU</b> | 1:1   |
| Material/Anyag                 |                                  |                                 |              |                              |       |
| 00                             | 14 000                           | 06.06                           | Nagy T.      | <b>20-14048</b>              | 1/1   |
| Revision level/Índex           | Change number/<br>Változási szám | Date/<br>Dátum                  | Name/<br>Név |                              |       |
|                                |                                  |                                 |              | 95...                        | s-310 |