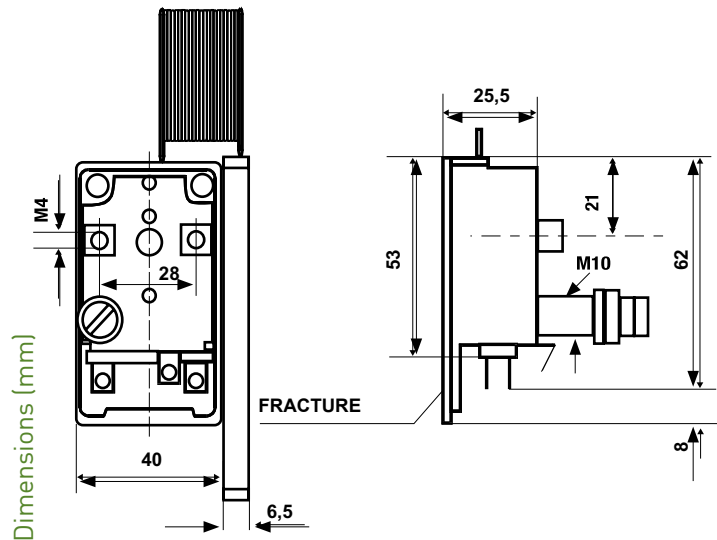


C09A3M



Lockout thermostat with manual reset for remote mounting

Positive safety rear panel lockout thermostat, suitable for boilers and heating systems, should be connected in series with a control thermostat.



	Lockout action °C	Action tolerance °C	Admissible body temperature °C	Maximum bulb temperature °C	Capillary length mt	Protection level
C09A3M	100	+ 0 - 6	120	120	1	IP00

*The differential is subtracted from the range value. The differential values refer to a thermal gradient of 1K/hour in liquid and 4K/hour in air.

ELECTRICAL FEATURES

Two directions microswitch of instant action with manual reset with silver alloy contacts.

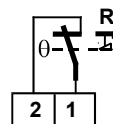
Contact parameters in compliance with EN 60730-1:
15(6)A 250V~ 50Hz.

Parameters in compliance with EN 60947-5-1:

Nominal insulation voltage: U_i 380V~.

Nominal continuous current: I_{th} 15A.

Nominal operating current I_e :	220V~	250V~	380V~	
Resistive load	AC-12	-	15A	10A
Inductive load	AC-15	-	2,5A	1,5A
Direct current	DC-13	0,2A	-	-



STANDARDS AND CERTIFICATES

Compliance with standards EN 60947-5-1, EN 60730-1.
ISPESL approval.

INSTALLATION

Rear panel mounting for thermostat's body.

The bulb with capillary can be mounted remotely and are provided with seal caps or copper sheaths with GC 1/2 Pn10 connection (look ACCESSORIES).

OPERATION

When the temperature increases are opening the contacts 1-2.

Liquid expansion function.

If the system reaches the limit temperature, the thermostat interrupts the electrical circuit and to reactivate it is necessary to act on the manual reset (after the temperature has dropped until $\sim 25^{\circ}\text{C}$).

In case of breakdown or failure of its sensing element, the thermostat interrupts the electrical circuit and is no longer possible to reactivate the system (is necessary to replace the thermostat).

FEATURES

Sensing element with electrically welded stainless steel diaphragm.

Copper bulb and capillary.

Base in shock-proof self-extinguishing thermoplastic material V0.

The storage and transport temperature: $-35 \div 120^{\circ}\text{C}$.

ACCESSORIES



G23

Seal cap Gc 1/2 PN10 bar, without sheath.

(Dimensions page 7)



G28

Copper sheath Gc 1/2 PN10 bar, length 177mm, supplied with spring to fix the capillary.

(Dimensions page 7)