

# C04..Y

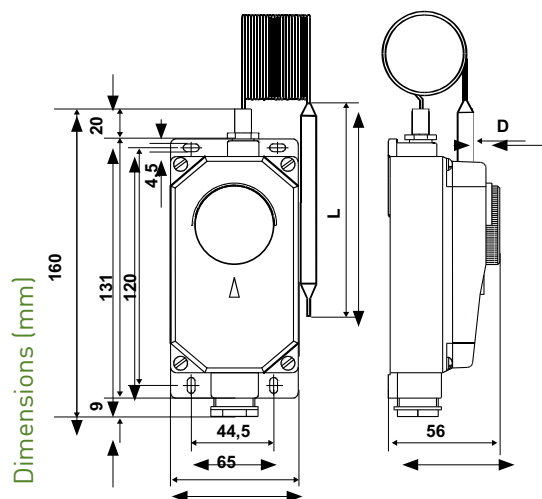
## Thermostats with capillary and bulb for remote mounting, IP65



Thermostats with capillary to control the temperature in the boilers, in the air-conditioning and cooling systems, in household appliances, in electrical furnaces.



Type	L	D
C04A3Y	69	6,5
C04B3Y	65	5
C04C2Y	144	6
C04D2Y	144	6
C04E3Y	69	6,5

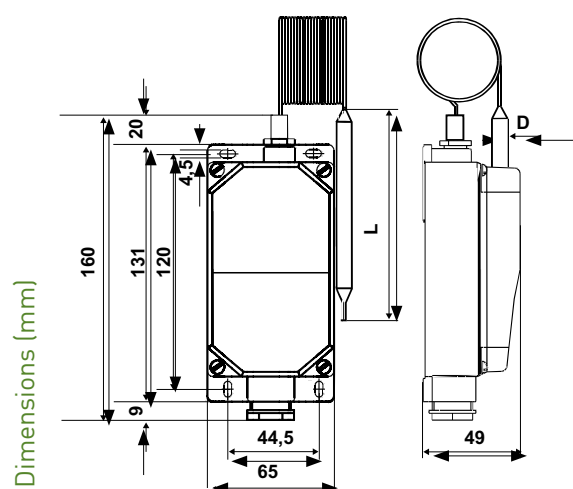


	Temperature range °C	Differential K	Calibration accuracy °C	Maximum bulb temperature °C	Admissible body temperature °C	Capillary length mt	Protection level
C04A3Y	10 ÷ 90	6 ± 1	± 3	150	120	1	IP65
C04B3Y	50 ÷ 300	8 ± 2	± 3	350	120	1,5	IP65
C04C2Y	- 20 ÷ 40	2 ± 0,5	± 2	80	60	1,5	IP65
C04D2Y	- 35 ÷ 20	2 ± 0,5	± 2	80	50	1,5	IP65
C04E3Y	40 ÷ 120	6 ± 2	± 3	150	120	1	IP65

### WATERPROOF EXECUTION IP65 WITH INTERNAL REGULATION



Type	L	D
C04A3RIY	69	6,5
C04A3RIY	87	5
C04C2RIY	144	6
C04D2RIY	144	6
C04E3RIY	69	6,5



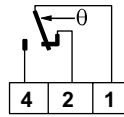
	Temperature range °C	Differential K	Calibration accuracy °C	Maximum bulb temperature °C	Admissible body temperature °C	Capillary length mt	Protection level
C04A3RIY	10 ÷ 90	6 ± 1	± 3	150	120	1	IP65
C04B3RIY	50 ÷ 300	8 ± 2	± 3	310	120	1,5	IP65
C04C2RIY	- 20 ÷ 40	2 ± 0,5	± 2	80	60	1,5	IP65
C04D2RIY	- 35 ÷ 20	2 ± 0,5	± 2	80	50	1,5	IP65
C04E3RIY	40 ÷ 120	6 ± 2	± 3	150	120	1	IP65

\*The differential is subtracted from the range value. The differential values refer to a thermal gradient of 1K/hour in liquid and 4K/hour in air.

# ELECTRICAL FEATURES

Two directions microswitch of instant action with AGcdO contacts.

Contact parameters in compliance with EN 60730-1: 15(6)A 250V~ 50Hz.



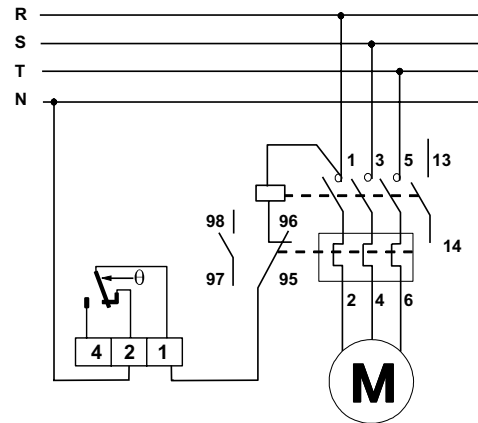
Parameters in compliance with EN 60947-5-1:

Nominal insulation voltage:  $U_i$  380V~.

Nominal continuous current:  $I_{th}$  15A.

Nominal operating current $I_e$ :	220V~	250V~	380V~
Resistive load	AC-12	-	15A
Inductive load	AC-15	-	2,5A
Direct current	DC-13	0,2A	-

## EXAMPLE OF ELECTRICAL CONNECTION



# STANDARDS AND CERTIFICATES

Compliance with standards EN 60947-5-1, EN 60730-1.

# INSTALLATION

Wall mounting for the thermostat body.

The bulb with capillary can be mounted remotely and is provided with seal caps or copper sheath with GC 1/2 connection.

# OPERATION

When the temperature increases: 1-2 are opening, 1-4 are closing.

Liquid expansion function.

# FEATURES

Without knob, with internal regulation.

Sealable casing after the calibration is done.

Sensing element with stainless steel diaphragm.

Copper bulb and capillary.

Copper bulb and capillary, tinned for types C04C2.. and C04D2..

Base in shock-proof self-extinguishing thermoplastic material V0.

Electrical connection output with G 1/2 cable gland.

The storage and transport temperature corresponds to the thermostat's body admissible temperature.

Unit weight: 0,16 Kg.

# ACCESSORIES



**G23**  
Seal cap Gc 1/2 PN10 bar, without sheath.  
(Dimensions page 7)



**G28**  
Copper sheath Gc 1/2 PN10 bar, length 177mm, supplied with spring to fix the capillary.  
(Dimensions page 7)

# EXECUTION UPON REQUEST WITH SPECIAL TEMPERATURE RANGE

	Temperature (1) range °C	Scale (*) angle °C	Range in execution fixed calibration
C04A xx yy	0 ÷ 120	80	10 ÷ 80
C04B xx yy	10 ÷ 300	250	
C04C xx yy	-35 ÷ 60	60	- 20 ÷ 60
C04D xx yy	-35 ÷ 60	75	
C04E xx yy	10 ÷ 320	270	

Note: Special temperature range is chosen in the range of temperature (1) and must always exceed the set value "scale angle" (\*).

Example: C04 - 10/50, special execution C02, temperature range -10 ÷ 50°C, scale angle 60°C.